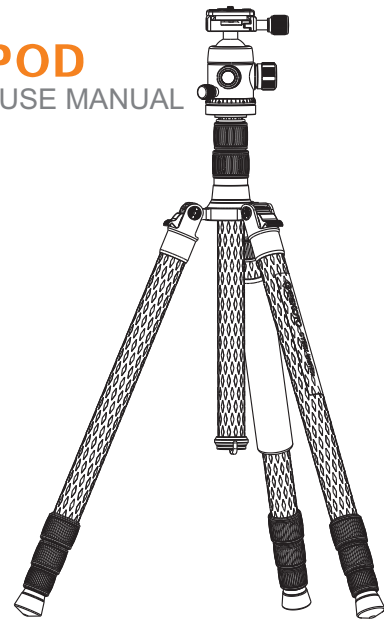




## TRIPOD CT28X USE MANUAL



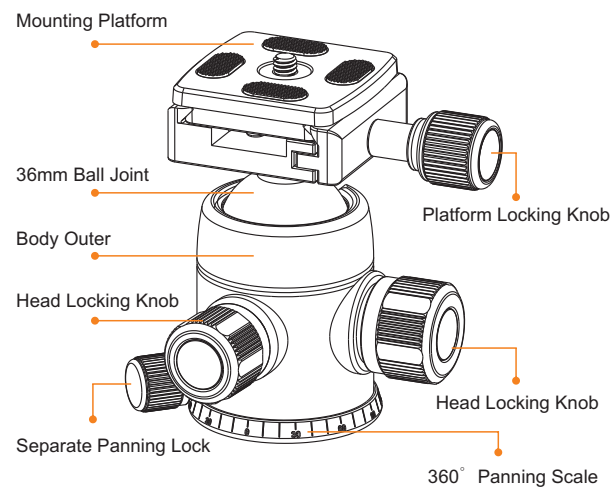
### ⚠ Note:



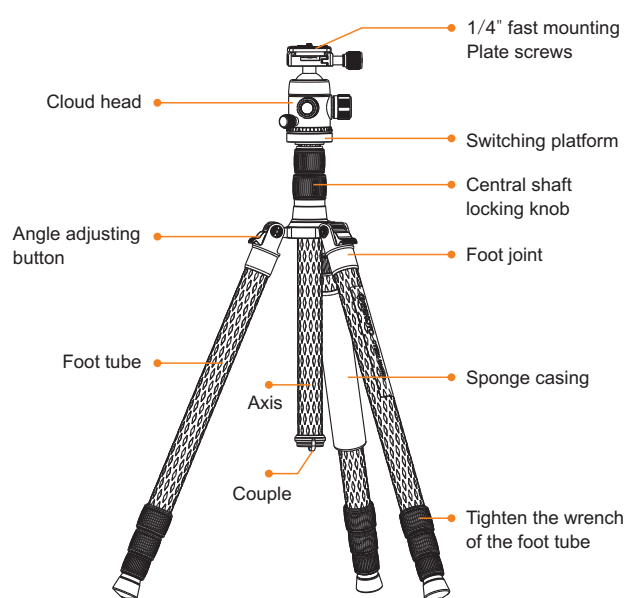
1. Do not exceed the maximum specified load (refer to individual product descriptions).
2. When using the product, please try to lock the central column and operate in safe conditions.
3. Do not use in temperatures below -40 degrees Celsius or higher than 100 degrees Celsius.
4. When used in watery / sandy / dusty environments, keep the product dry and clean. This tripod is not recommended for use in seawater.
5. Never leave the tripod out in the sun for extended periods of time.
6. Operate the tripod carefully in dangerous environments.
7. Use a mild detergent and a soft towel to clean the dust and sand from the locking system and sliding parts.
8. Unless there is a need, this device does not need lubrication on a regular basis. If you deem that it does, use standard lubricating oil.
9. Keep the tripod away from electricity.

The Company reserves the product upgrades and power due to product upgrades and changes to various parameters without notice. If there are printing, translation, or omissions from the manual, Rangers accepts no responsibility.

### Ball Head details:

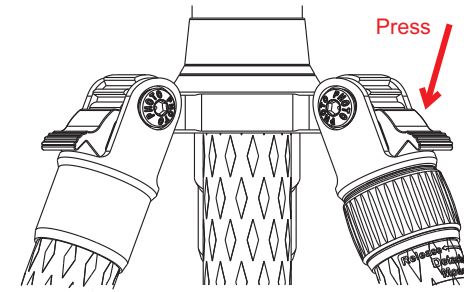


### An overview of the tripod:



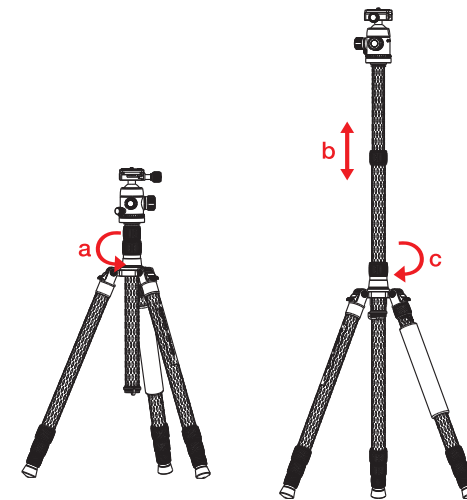
### Angle regulation:

Each leg of the tripod can be adjusted in three different angles to meet different shooting requirements, as shown in the direction, press the angle control button, at the same time, move the leg to the corresponding angle, and release the control button.



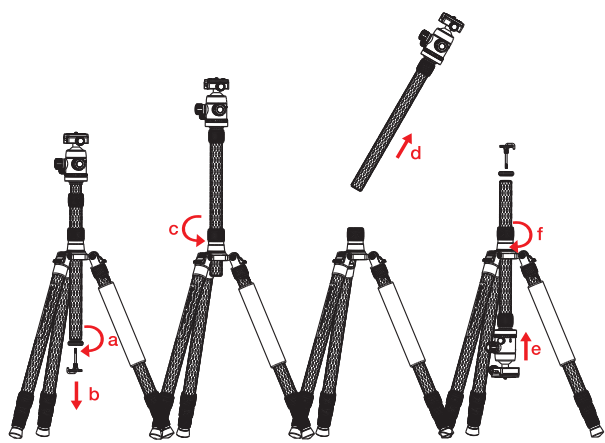
### Central column adjustment:

Unlock the central column in the direction a, stretch to the appropriate position in direction b, and finally rotate the central column lock along direction c.



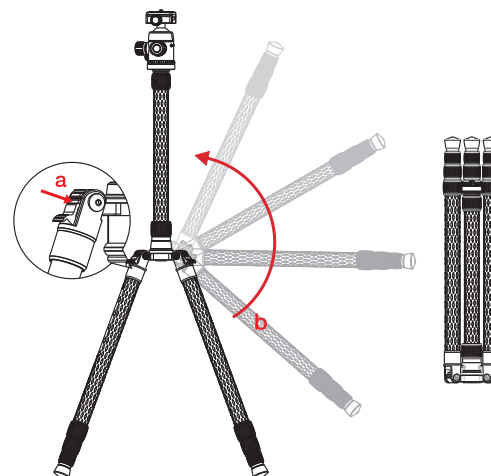
### Inverted installation of central column:

Rotate the hook knob in the direction a shown, pull out the hook in direction b, and unlock the central column according to direction c. Pull out the central column along the direction d, insert the central column according to direction e, lock the central column according to direction f, finally install the hook back and finish the inversion.



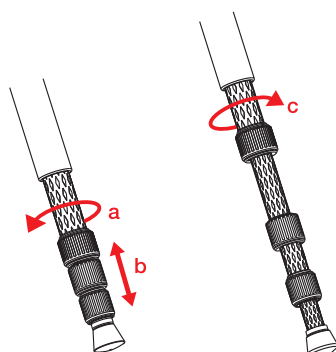
### Back folding of tripod:

After all the legs are retracted and locked, as shown in the diagram a, press the angle adjustment button. At the same time, move the leg to the reverse side to realize the back folding according to the direction b of the illustration. Make the tripod to the smallest size, easy to carry.



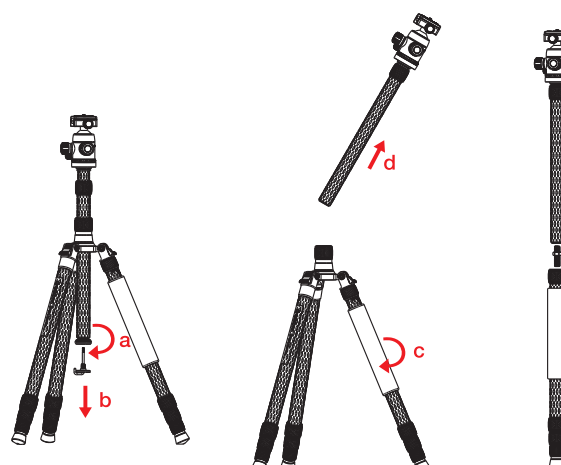
### Extension of leg:

In the direction of the diagram a, at the same time or separately, rotate the leg locking mechanism, then pull the leg out to your desired length, and then, in the direction of the diagram c, rotate the leg locking mechanism and lock it.



### Monopod function:

A leg in the tripod can be removed and connected to the central column for using as a monopod.



### WARRANTY CARD

Name: \_\_\_\_\_

Tel: \_\_\_\_\_

Address: \_\_\_\_\_

Description of malfunction: \_\_\_\_\_

(please write down neatly, thanks for support)

Merchant: \_\_\_\_\_

Tel: \_\_\_\_\_

Product model: \_\_\_\_\_

Purchase Date: \_\_\_\_\_

Stamp sales: \_\_\_\_\_

### MAINTENANCE RECORDS

Date for report: \_\_\_\_\_

Records for checking: \_\_\_\_\_

Maintainer: \_\_\_\_\_

Date for returning: \_\_\_\_\_

Tracking No. for returning: \_\_\_\_\_